

Skydroid H12/H12PRO User Manual V1.0

Attention

This product uses the following terms to classify the potential hazards that may be caused by improper operation.

Note: If not follow the instructions, it may cause property damage and minor injuries.

Note: If not follow the instructions, it may cause property damage, major accidents and serious injuries.

Warning: Misuse of this product may result in injury, damage or loss of property. Read the manual carefully before using this product. This item is not a toy. This item is intended for use by professional UAV operators and installers only. Donot use this product if you lack the knowledge and expertise to install and maintain UAV radio equipment. Do not use unapproved or unofficial components with this system. Operators must strictly follow the operation guides set forth in this manual. Skydroid does not accept any liability for the use or misuse of this product.

一、 Overview

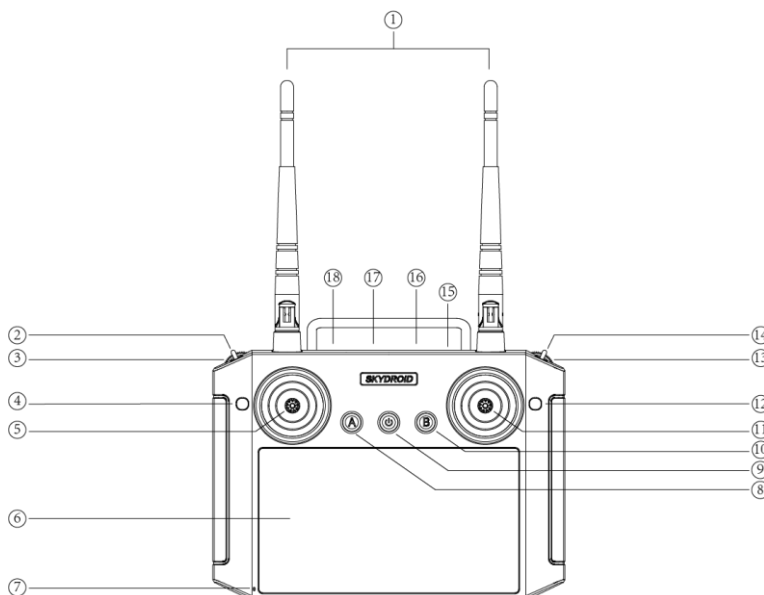
1、 Product Features

The H12 series uses newest Qualcomm Snapdragon 625 processor, equipped with an Android embedded system and advanced SDR technology and super protocol stack, making the image clearer, lower the latency, longer distance, stronger anti-infection, whether it is drones, robots, industrial control equipment, etc. can be applied

2、 Main applications

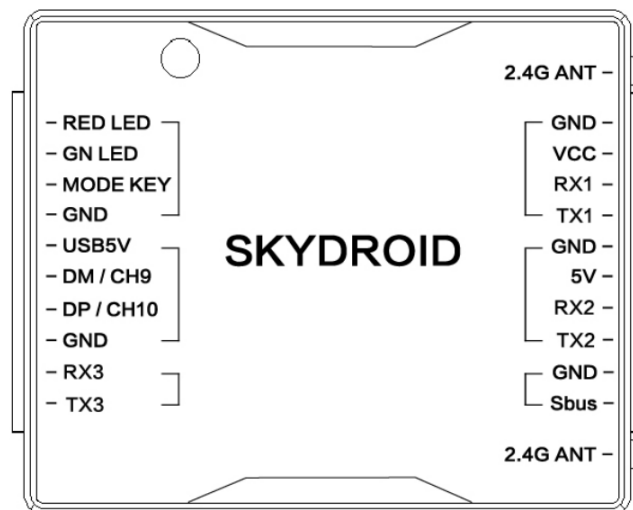
It is used to remotely operate helicopters, fixed wings, multi-rotors, vehicles, ships, etc. for video/image transmission (camera optional), data transmission, telemetry, and control drone flight.

3、 The composition of the model and its significance



Number	Annotation	Number	Annotation
1	2.4G 3dB antenna	10	Button B
2	Toggle 3 positions switcher E	11	Stick X2、Y2
3	Thumbwheel switch G	12	Button D
4	Button C	13	Thumbwheel switch H
5	Stick X1、Y1	14	Toggle 3 positions switcher F
6	5.5inch screen	15	Speaker
7	MIC port	16	SIM card slot
8	Button A	17	Charging port
9	Power switcher	18	PPM output

接收机



Name	Annotation	Name	Annotation
RED LED	Red light	2.4 ANT	Antenna
GN LED	Green light	GND	Camera ports
MODE KEY	Button	VCC	
GND	Ground	RX1	
USB 5V	USB for upgrading	TX1	Data transmission/CBUS
DM/CH9		GND	
DP/CH10		5V	
GND		RX2	
RX3		TX2	

TX3	Expansion ports	GND	SBUS
		SBUS	
		2.4G ANT	Antenna

4、 Environment conditions

Pay attention

- (1) Working temperature:-10° C~+55° Co
- (2) Storage temperature: -25° C~+70° C。
- (3) Relative humidity: Not exceed 85%。
- (4) Atmospheric pressure:86kPa~106kPa
- (5) Working environment should not contain explosive material or any corrosive or harmful gas may cause interference in the operation of the product.
- (6) Always work under shelter to prevent rain, snow, wind, sand and dust contamination.

5、 Working conditions

Power supply and attentions

H12 series uses a built in Li-ion battery. Charging port is compatible with Micro USB 5V chargers (such as cell phone, digital cameras' USB charger)

In case of smoke, heat or unusual smell during charging, please stop charging immediately and return to our company for servicing as soon as possible.

Do not leave the product unattended while charging. Do not leave the product in a place where children can reach. Do not charge when room temperature over 60 °C

6、 Safety

Warning

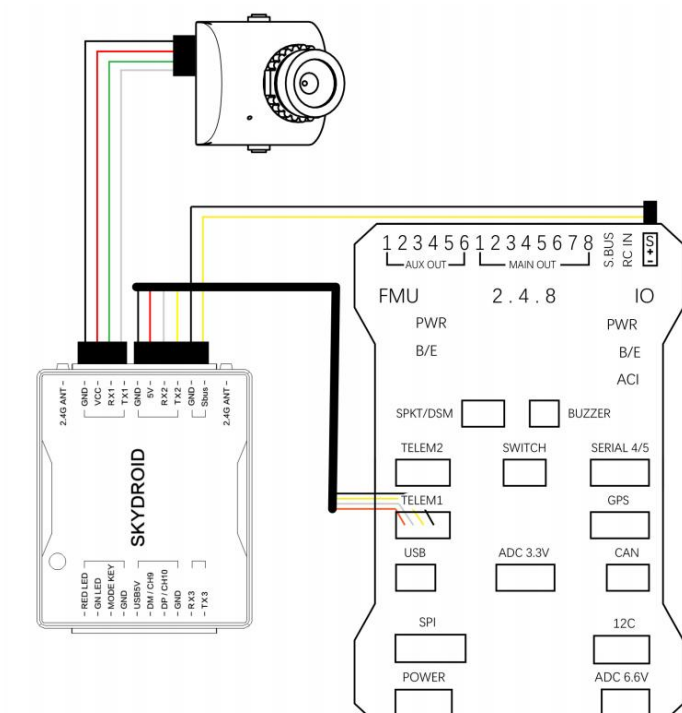
Beginners should pay attention for the followings! Please read it carefully!

DO NOT fly under the influence of substances, or when tired!

Please use certified chargers to charge the batteries.

DO NOT put unnecessary force on antennas since its weakness

二、 Operation



1、 Preparation and pre-checking before use

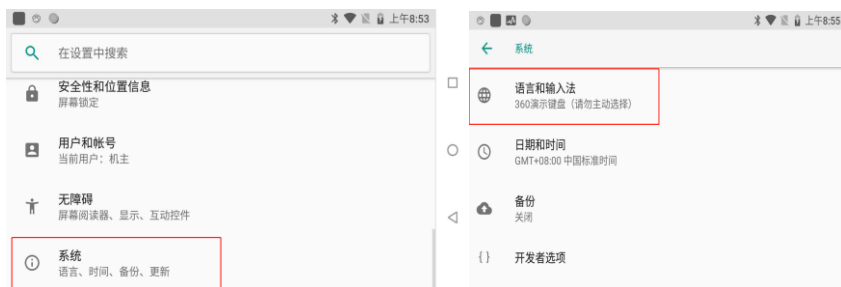
Pay attention

- ① Check battery level.
- ② Check position of the antenna to get the best performance
- ③ Make sure the firmware is the latest version

DO NOT operate under the influence of alcohol or drugs

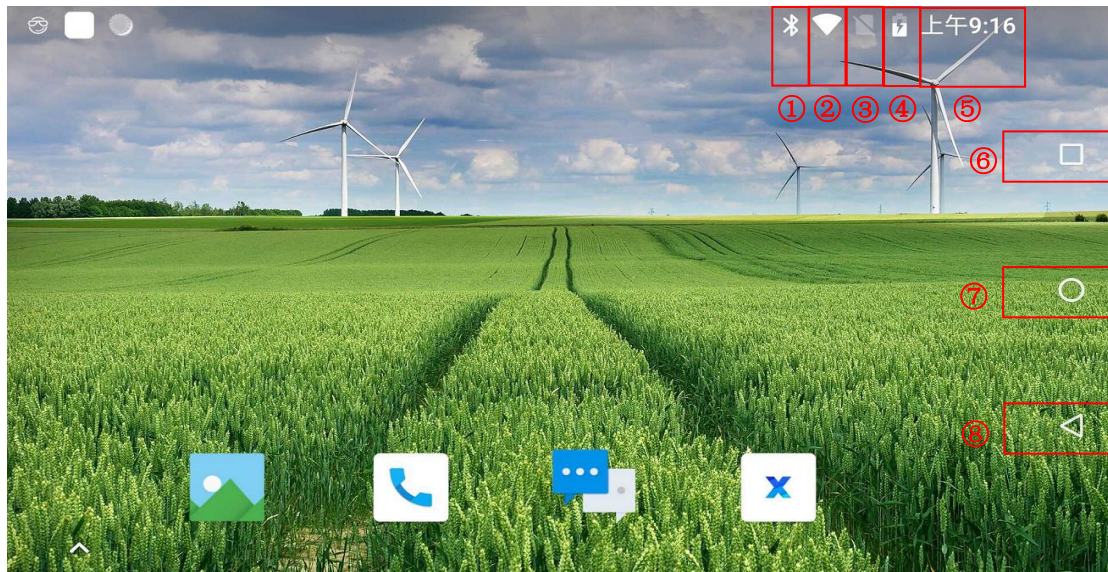
2、 Operation

语言设置



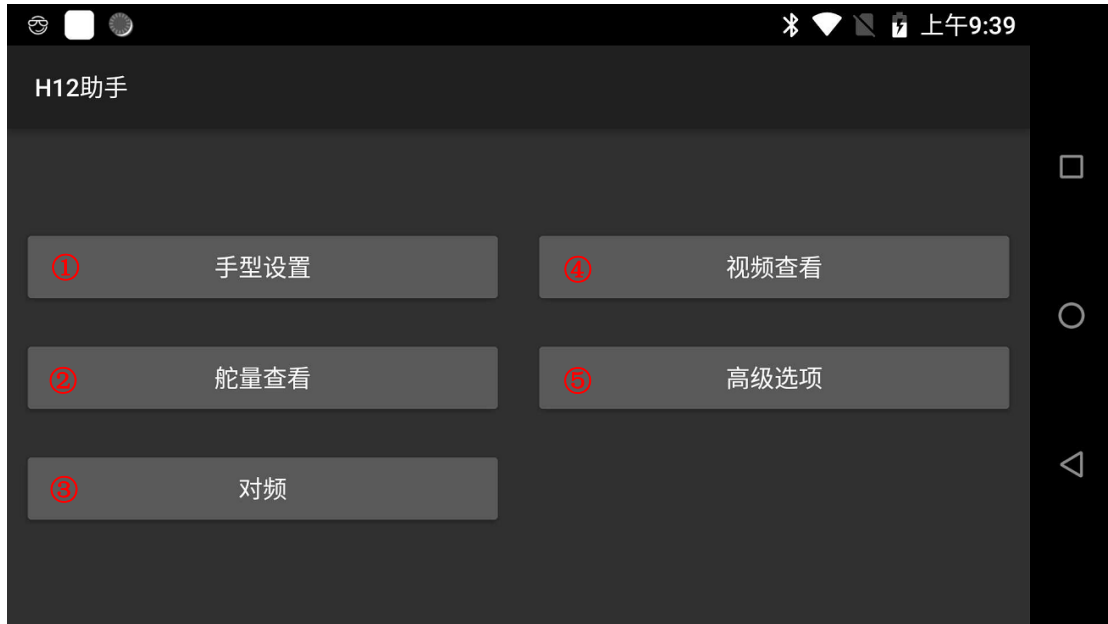
- (1) Enter setting, and then enter system, choose your language

Status bar



- (1) Bluetooth
- (2) Signal
- (3) SIM card status (without sim card in the picture)
- (4) Power lever
- (5) Time
- (6) Back ground management
- (7) Home
- (8) Return

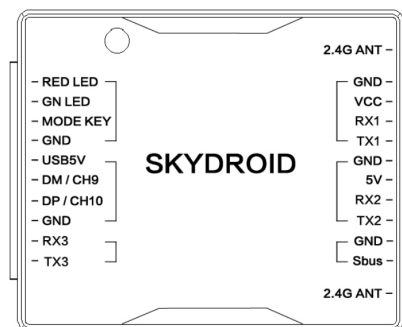
H12 Helper



- (1) Mode change
- (2) Rudder value
- (3) Binding the remote control with other receivers (the binding method is introduced below)
- (4) Video/image transmission checking
- (5) In the advanced parameters setting part, you can adjust the channel, upgrade the joystick firmware, and modify the receiver's serial port baud rate (password requested from our engineers)

Binding operation

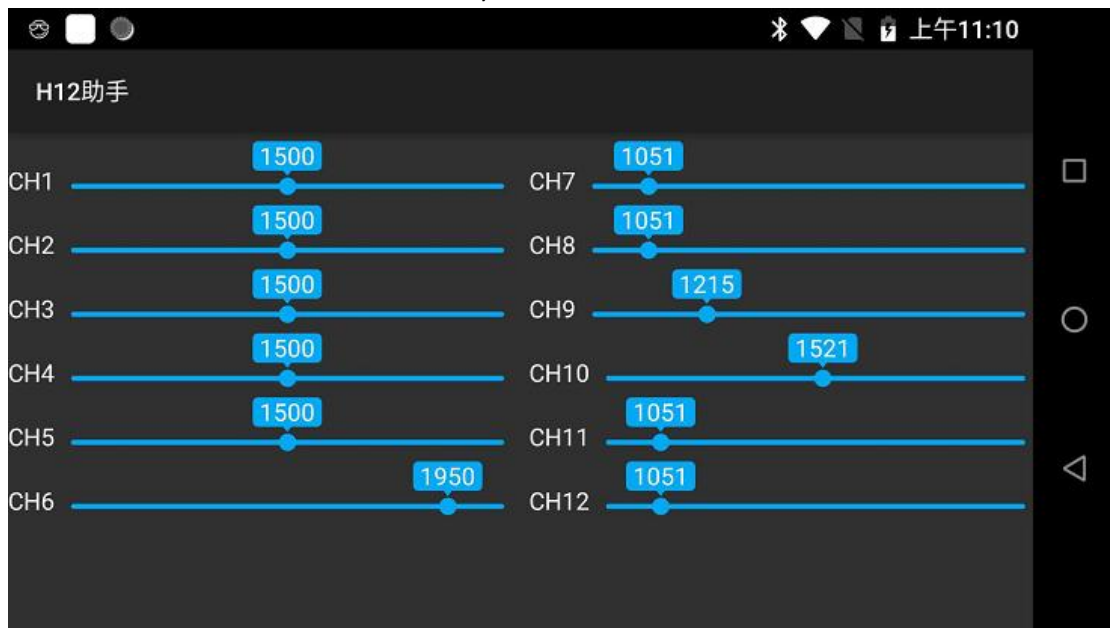
接收机



(1) When the receiver is powered on, the green light flashes quickly after shorting GND and MODE KEY. Open the H12 Helper on the remote control, click “binding” to start binding. The green light of the receiver is always on after the binding is successful.

(2) Quickly power on and off the receiver 5 times, and start the binding mode at the 6th time, the green light flashes. Open the H12 Helper on the remote control, click “binding” to start binding. The green light of the receiver is always on after the binding is successful.

Joystick calibration



- (1) Return the G and H to the center, and then turn off the remote control.
- (2) Long press D and power on the controller, released D after powering on
- (3) When calibrating the joystick, please open auxiliary calibration in the rudder value checking from H12 Helper
- (4) Long press D to enter the calibration mode, the remote control will ring continuously
- (5) Turn the joystick and thumbwheel switch to the max and min values in sequence, after which, long press D to confirm and save
- (6) Restart the controller

Data transmission/Telemetry sharing

Not supported now

Q & A

1. Can the remote control install other apps?

The permissions of the remote control are all open, and there is no special software or restricted software installation and uninstallation.

2. Data transmission/telemetry cannot be connected

Check whether the ground station is connected with UDP type to connect to the TX and whether the listening port is 14551. Check whether the baud rate is normal. Check if RX and TX is connected reversely (connect RX to TX TX to RX correctly)

3. The remote control keeps ringing

when the remote control is not successfully connected with the receiver, the remote control will always send out a prompt alarm.

4. The QGC sound is too low to hear

Vol+/vol- in setting

5. What else can the TYPE-C port do besides charging?

In addition to charging, the TYPE-C port can also be connected to a computer for file viewing.

6. How many ways to connect the remote control to the network

By SIM card or Wifi

三、 Maintenance, servicing

Storage for not using certain period

Put H16/H16 Pro in a dry and ventilated area. No direct sun light to prevent harm to the internal li-ion battery. If store it over three months, it is highly recommended to put room temperature

between 22°C to 28 °C. DO NOT put it below 20 °C or higher than 45°C

四. Transportation and storage

Warning

In order to prevent lost or getting hurt, please strictly follow the rules of operation:

Keep small parts or wire away from children can reach. DO NOT let children touch the small parts of H16/H16 Pro

Attention

1)

DO NOT put H16/H16 Pro into water. If it does, please switch off the power and dry it at once!

2) DO NOT crash the H16/H16 Pro or break the battery is prohibited

5、 Others

FCC Statement

This equipment has been tested and found to comply with the limits for a Class B digital device, pursuant to Part 15 of the FCC Rules. These limits are designed to provide reasonable protection against harmful interference in a residential installation. This equipment generates uses and can radiate radio frequency energy and, if not installed and used in accordance with the instructions, may cause harmful interference to radio communications. However, there is no guarantee that interference will not occur in a particular installation. If this equipment does cause harmful interference to radio or television reception, which can be determined by turning the equipment off and on, the user is encouraged to try to correct the interference by one or more of the following measures:

-- Reorient or relocate the receiving antenna.

-- Increase the separation between the equipment and receiver.

-- Connect the equipment into an outlet on a circuit different from that to which the receiver is connected.

-- Consult the dealer or an experienced radio/TV technician for help.

This device complies with part 15 of the FCC Rules. Operation is subject to the following two conditions:

(1) This device may not cause harmful interference, and (2) this device must accept any interference received, including interference that may cause undesired operation.

Changes or modifications not expressly approved by the party responsible for compliance could void the user's authority to operate the equipment.